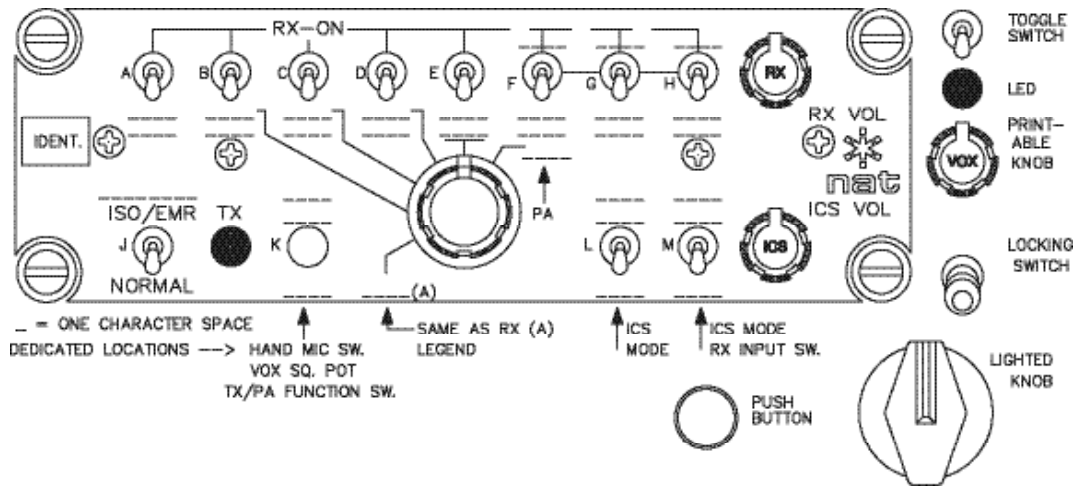


AA95 Series Custom Configuration Chart



Specify front panel legends, internal functions and options including illuminated knobs.

Installation Information:

Airframe Type:

Control Location(s):

Direct input, Type A?:
(Present in Normal Mode, adj. via amplifier)
 Direct input, Type B?:
(Present in All Modes, direct to pilot's hdst)
 Direct input, Type E?:
(Present in All Modes, adj. via amplifier)

Functions:

Similar to existing control #:
(Provide number)

6th Transceiver option?:
(Precludes handmic function, non-std.)

Install 3rd boom mic function?:
(Precludes handmic function, non-std.)

Install rear hand mic function?:
(Emergency mic port, also used for rear PAX TX expansion)

Install rear hand mic switch?:
(Can only go in designated position)

PA sidetone?:

PA keyline?:
(Creates non-std interconnect)

Install tape inputs?:
(Switched, direct or none)

Low impedance output or input:
(Single user control only, precludes alerting)

RX muting during TX?:
(If unmuted: fixed or adj./Called RX monitoring)

ICS Functions

VOX ICS Mode?:
(Alternate is Live/Keyed ICS)

ICS mute during TX?:
(If un-muted: fixed or adj./Called ICS Monitor)

ICS CALL LED?:
(Amber, momentary)

ICS CALL alert?:
(Tone, uses #1 internal alert)

ICS CALL PB. switch?:

ICS Tie/Split switch?:
(Breaks Tie connection. External switch recommended)

Misc. Special Functions

Function switch output?:
(Outputs a ground for ext. switching)

Special lighting?:
(Lighting may NOT be from AC source)

Lighted knobs (specify):
(Lighted knobs are grey)

Other special functions:

Internal Alerting & Direct Inputs

Install internal alert generators?:

Internal alert generators (1, 2 or 3):